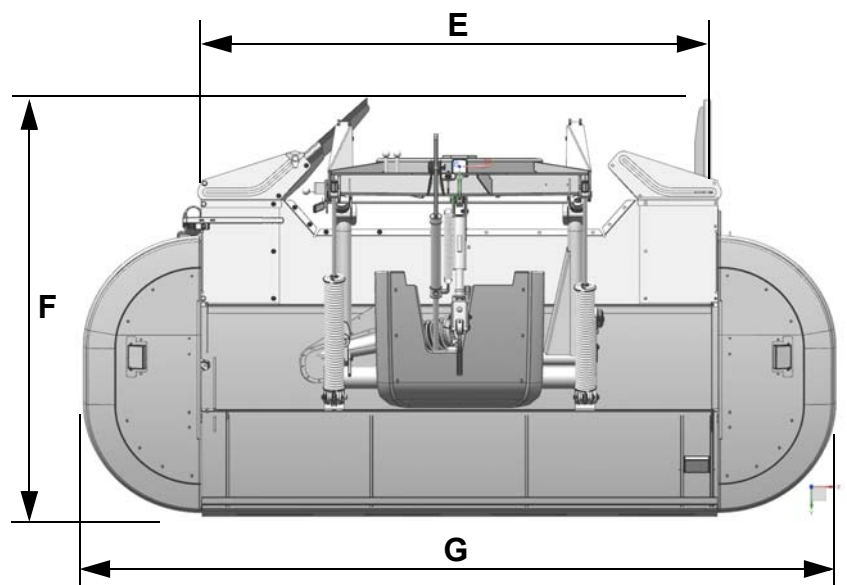
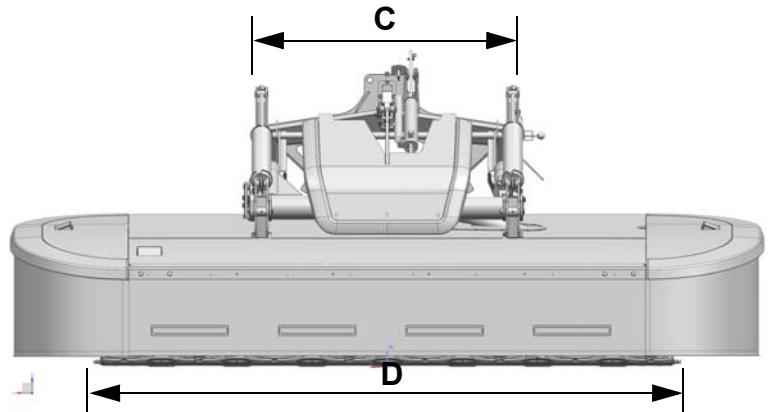
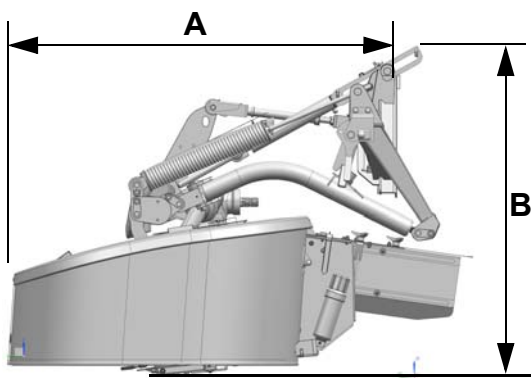


About the machine

Technical data

Machine dimensions



Dimension	Unit	3332FT / FR	3336FT / FR
A	mm	1850	
	inch	72,8	
B	mm	1570	
	inch	61,8	
C	mm	1330	
	inch	52,7	
D	mm	3200	3600
	inch	126	142
E	mm	2650	2950
	inch	104,3	116
F	mm	2150	
	inch	84,6	
G	mm	3850	4250
	inch	151,5	167

About the machine

Machine specifications

	Unit	3332FT	3332FR	3336FT	3336FR
Net weight	KG	1285	1345	1380	1440
	lb	2835	2965	3045	3175
P.T.O. Power take off	rpm	1000			
Power requirement, minimum	kW	56		60	
	HP	75		80	
Number of cutting discs	Qty	8		9	
Number of knives	Qty	16		18	
RPM, cutting discs	RPM	3000			
RPM, rotors	RPM	550 / 1000	-	550 / 1000	-
RPM, rollers	RPM	-	950	-	950
Stubble height	mm	35 - 50			
	inch	1,4 - 2			
Cutting width	m	3.2		3,6	
	inch	126		142	
Hydraulic pressure, min. - max.	bar	180 - 220			
	psi	2610 - 3190			
Noise level	dB(A)	85			
Cutting speed	kilometres per hour	6 - 15			
	mph	4 - 9			
Transport width	m	3,0		3,4	
	inch	118		134	

Tractor requirements



Tractor weight and size

The tractor must be the appropriate size for its weight. Local regulations governing this relationship must be observed. The correct ratio between tractor and machine ensures correct braking functions and manoeuvrability. An incorrect ratio between tractor and machine can be dangerous.